

**TROLEX**

# P5553 Sentro Series Remote Gas Sensing Head

Remote safety monitoring of toxic,  
oxygen and flammable gases in  
hazardous environments



**EAC**

Remote gas sensing head for use with all  
Sentro Series monitoring devices, incorporating  
convenient plug-and-play eModule technology.

P5553.1601 Rev B

## Product Overview

The Trolex P5553 remote gas sensing head is specifically designed as a compact, shock resistant platform for the detection of adverse gas concentrations in combination with the Sentro fixed gas detection series.

Switching to different gas types is simplified with plug-and-play eModule technology, which can be replaced in the hazardous area with power applied. The remote sensing head can be configured and customised for a wide range of Flammable, Oxygen and Toxic gas detection for use in harsh and hazardous operating environments.

Ease of on-site installation and commissioning is supported through a glanded cable entry system, which allows signal cables to be directly installed and routed in confined spaces before connecting to the remote head where required.

The remote head features a serviceable Gas sensing port for ease of cleaning or filter replacement in the harshest of environments. An optional IP65 rated protection cap for extended periods of maintenance or ingress protection is available.



## Product Features

- Remote, high accuracy gas sensing head for use in custom locations and certified for use in hazardous environments
- High vibration tolerance for use on heavy duty machines with robust environmental and water spray protection.
- Up to 10m remote operating distance
- Digital communications to Sentro Series devices
- Hot swappable eModule for calibration, maintenance or gas type selection
- High strength and resistant Brass or Stainless-Steel housing
- M6 mounting holes, Din rail compatible
- IP54, Serviceable/Replaceable multi-directional gas sensing port
- Permeable inlet membrane for increased ingress protection
- Optional IP65, removable TPE ingress protection cap for extended protection during maintenance



eModule compatibility



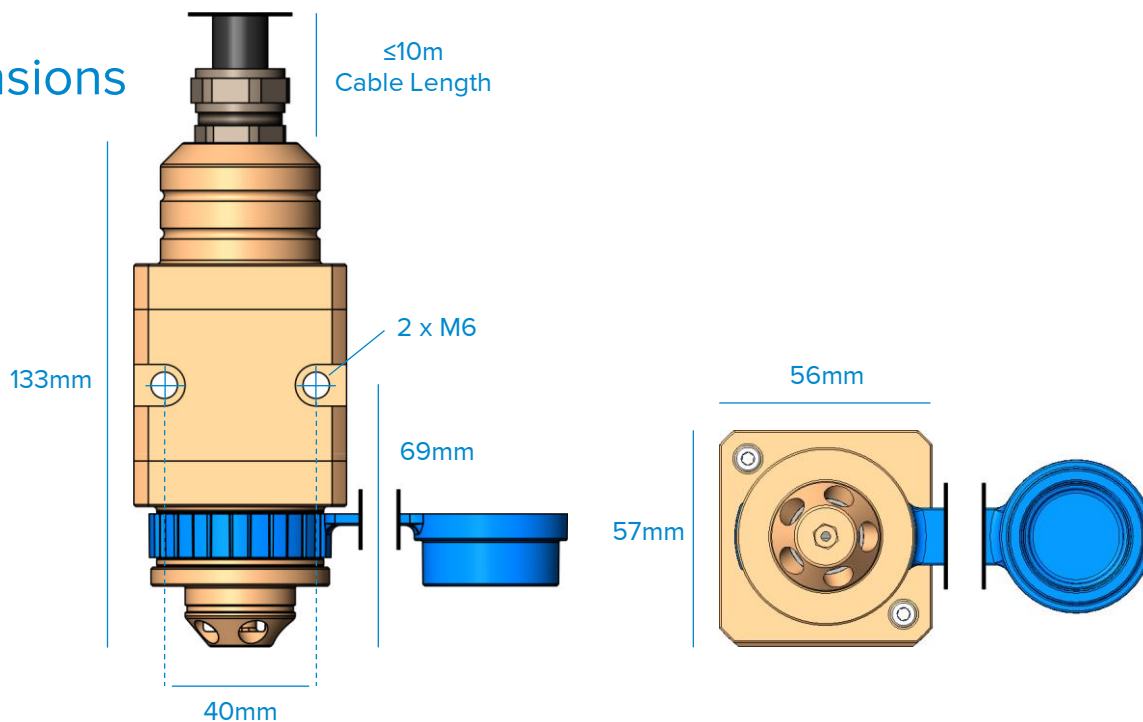
Serviceable gas sensing port



Maintenance protection cap

## Product Dimensions

# Dimensions



## Specifications

# Technical Information

**Operating temperature:** -10°C to +40°C

**Storage temperature:** -20°C to +60°C

**Humidity:** 95% RH, non-condensing

**Housing material:** Stainless Steel or Brass

**Ingress protection:** IP54 gas port  
IP65 with optional protection cap

**Weight:** 1.5Kg

**Max Cable length:** Up to 10m

**Cable Gland:** M16

**Connections:** 7-way WAGO vibration resistant spring clamp

**Communications:** Proprietary eModule extender

**Power Consumption:** 25mA (Additional loading to Sentro devices)

**Product fixing/mounting:** Two M6 diameter fixing holes (Unistrut 6946 compatible)

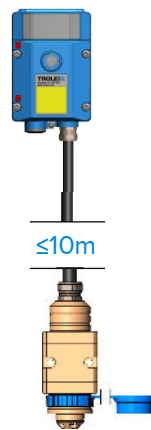
**Mounting orientation:** Vertical or Horizontal orientations (See User Manual)

**Gas Sensing Modules:** Trolex eModule Compatible

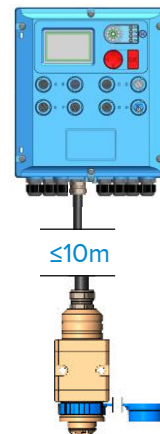
**Certification:** EAC Group I (Pending)  
Ukraine Group I (Pending)  
For full certification details please refer to the product user manual.

## Product Compatibility

The Trolex P5553 remote gas sensing head is specifically designed for use with Sentro 1 and Sentro 8 fixed gas detectors.



Sentro 1 + Sentro Remote Head



Sentro 8 + Sentro Remote Head

Note: The P5553 remote gas sensing head is not compatible with the Trolex 4-20mA 2-wire loop powered Sentro 1 fixed gas detector.

## rModule

The P5553 Sentro Series Remote Head is supplied with a TX9160 rModule, that can be fitted into any Sentro Series Gas detector.



## eModule sensing technology

Please refer to the Trolex TX6350 Sentro eModule data sheet for detailed information about the full range of gas sensing eModules, which includes comprehensive data about the gas sensing ranges available, prescribed TWA and STEL settings on selected toxic gas sensors, and default alarm level options for each gas type.



### Electro chemical sensors

High accuracy chemical cells for a range of toxic gases and Oxygen giving fast response in the ppm range. The cells feature low power consumption, enabling operation in the standard 4 to 20 mA two wire format.



### Catalytic sensors

Rugged sensing devices with a fast response to the presence of all flammable gases and vapours. Standard calibrations for a choice of Methane concentrations - either %LEL or v/v Also available with calibrations for alternative flammable gases - Propane, Butane etc.



### IR sensors

High stability sensing elements with a specific and exclusive response to Methane or Carbon Dioxide in a choice of sensing ranges up to 100% v/v.



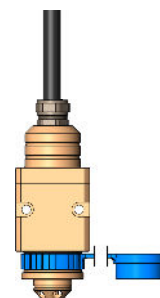
## Order Reference

### P5553 - Sentro Remote Gas Sensing Head

Product options:

P5553

Certification Class		Material		Cable Length		Protective Cap	
EAC Group I	14	Brass	01	10 Meters	10	Not Fitted	00
Ukraine Group I	24	Stainless Steel	02			Fitted	01



P5553 Remote Head

### TX9160 – rModule, Remote Gas Sensing Head

Product options:

TX9160

Certification Class		Module Type	
EAC Group I	14	Remote Input	30
Ukraine Group I	24		



TX9160 rModule

### TX6350 eModule

Please order the Sentro eModule separately

Information available in the Trolex TX6350 Sentro eModule datasheet detailing more than 60 gas sensing options. Standard stock sensors include:

- Carbon Monoxide
- Hydrogen Sulphide
- Sulphur Dioxide
- Nitrogen Dioxide
- Nitric Oxide
- Hydrogen
- Oxygen
- Flammable gasses % v/v
- Flammable gasses LEL
- Carbon Dioxide



TX6350 eModule

For more information on Trolex or if you'd like to find out more about the P5553 Sentro Series Remote Gas Sensing Head please contact us at:

Trolex Ltd  
Newby Road, Hazel Grove  
Stockport, Cheshire  
SK7 5DY, UK

[www.trolex.com](http://www.trolex.com)

Copyright and Trademarks  
2020 Trolex Limited

Trolex is a registered trademark of Trolex Limited.

**TROLEX**