

## Operating Magnets

Powerful operating magnets for use with magnetic proximity switches

**Environments:** Mining • Tunnelling • Conveyor control

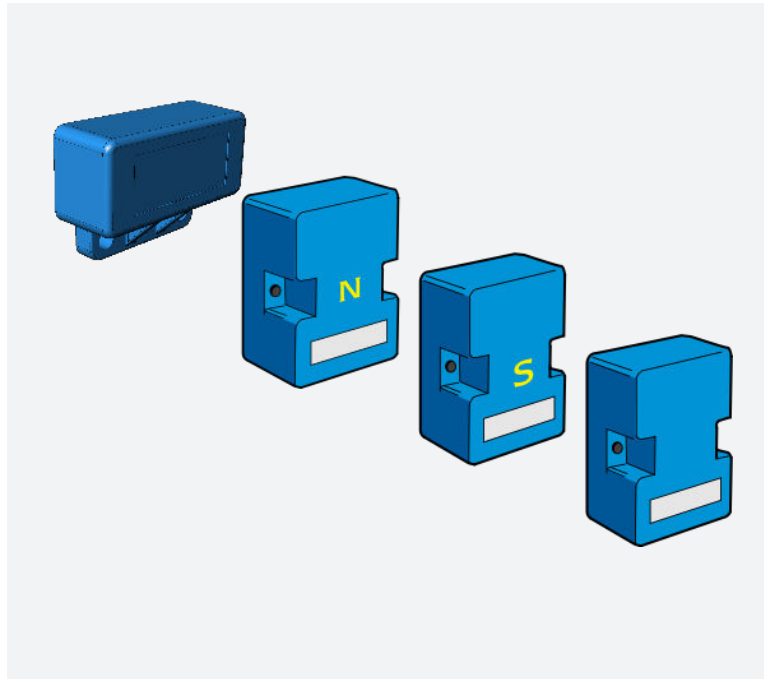
### Features

- Versatile - works over large operating distances
- Compatible with the Trolex range of magnetic proximity switches
- Allows positioning, counting, proving, etc. on machines and haulages
- Robust - fully encapsulated, environmental proof construction
- Robust - resistant to shock and vibration
- Dust and waterproof to IP67



### Benefits

- Easy to use - no power supply necessary
- Can be used with existing Intrinsically Safe circuits
- Quick and simple installation - requires only two screws
- Maintenance free for low lifecycle cost
- No moving parts





# TX1080/1/2 Data Sheet

## Functional Overview

The TX1080/1/2 are Operating Magnets for use with Magnetic Proximity Switches such as the Trolex TX1004 and TX1013.

Robust rugged housings and full encapsulation protect the Operating Magnets from their environment to IP67. No moving parts. Maintenance free for low lifecycle cost.

Simple installation requires only two screws, thus reducing installation times to a minimum. No power supply required.

Can be used with existing Intrinsically Safe circuits. Compatible with the Trolex range of Magnetic Proximity Switches.



## Technical Information

### TX1080

|                            |                                |
|----------------------------|--------------------------------|
| <b>Housing material:</b>   | Glass reinforced polycarbonate |
| <b>Operating distance:</b> | 60 mm nominal                  |
| <b>Nett weight:</b>        | 0.7 Kg                         |

### TX1081

|                            |                                |
|----------------------------|--------------------------------|
| <b>Housing material:</b>   | Glass reinforced polycarbonate |
| <b>Operating distance:</b> | 60 mm nominal                  |
| <b>Nett weight:</b>        | 0.7 Kg                         |

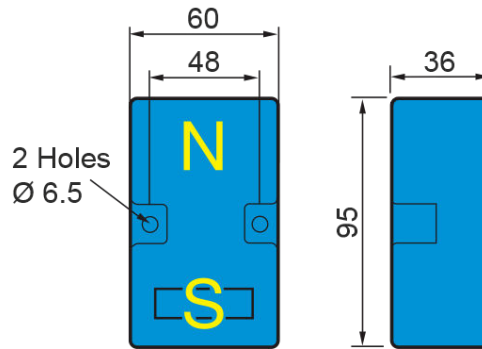
### TX1082

|                            |                    |
|----------------------------|--------------------|
| <b>Housing material:</b>   | Reinforced polymer |
| <b>Operating distance:</b> | 40 mm nominal      |
| <b>Nett weight:</b>        | 0.3 Kg             |

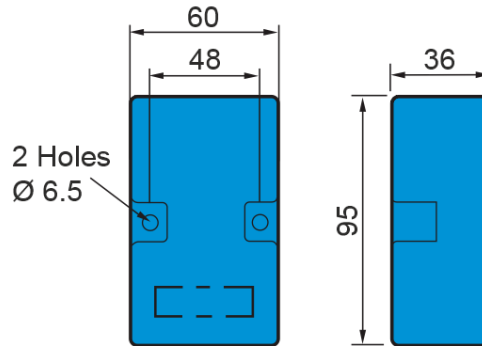


# TX1080/1/2 Data Sheet

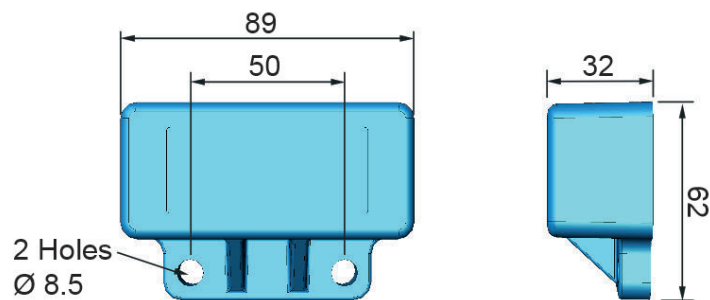
## Dimensions TX1080



## TX1081



## TX1082

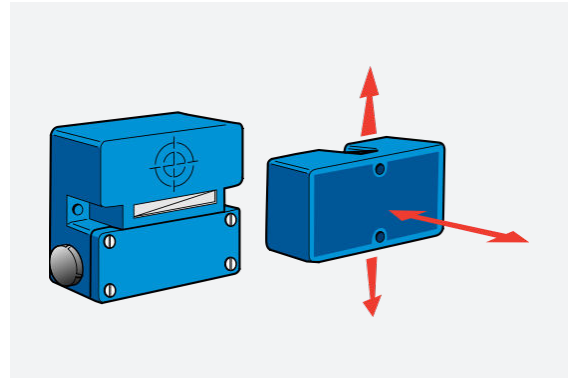




## Typical Applications

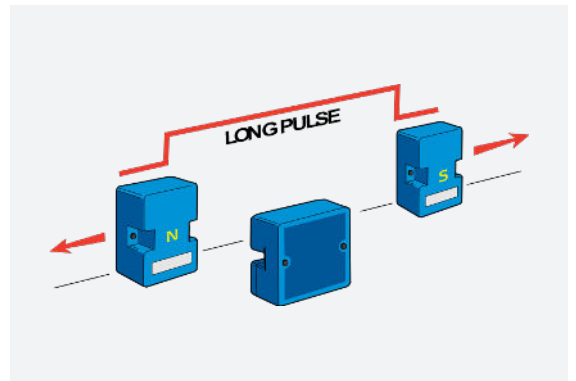
### TX1080

TX1080 Operating Magnet and TX1004 Proximity Switch operating in basic On/Off mode.

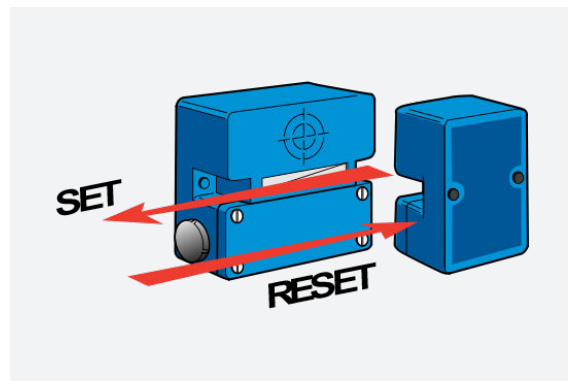


### TX1081.N and TX1080.S

TX1081.N and TX1081.S Operating Magnets, and TX1013 Proximity Switch operating with extended pulse length for both directions.

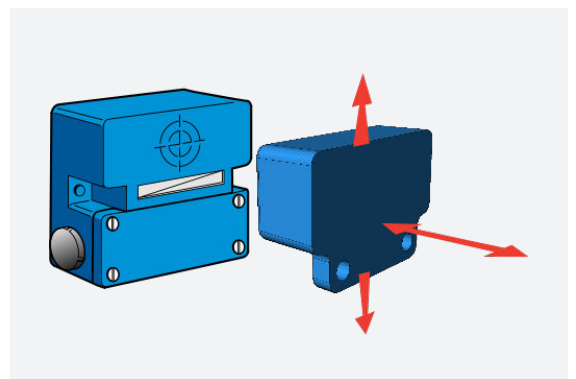


TX1081.S Operating Magnet and TX1013 Proximity Switch operating in directional mode.



### TX1082

TX1082 and Operating Magnet and TX1004 Proximity Switch operating in basic On/Off mode.





# TX1080/1/2 Data Sheet

---

## Order Reference

|          |                             |
|----------|-----------------------------|
| TX1080   | Operating Magnet dual pole  |
| TX1081.N | Operating Magnet North pole |
| TX1081.S | Operating Magnet South pole |
| TX1082   | Operating Magnet            |

If you have more product enquiries, contact the Trolex Sales Team:

+44 (0)161 483 1435  
sales@trolex.com

---

## Certifications

Considered to be simple apparatus under the ATEX scheme, in accordance with EN 60079-11 clause 5.7.

---

## Precautions

Powerful magnets can injure the human body and cause damage to equipment. Ensure magnets are handled and used in accordance with the appropriate Health and Safety guidelines for the geographic area in which they are located.

---

## Copyright and Trademarks

© 2014 Trolex® Limited.

Trolex is a registered trademark of Trolex Limited. The use of all trademarks in this document is acknowledged.

**Document history:** Issue 01      10 November 2014      Original publication of this document - fourth draft

### Trolex Limited

Newby Road, Hazel Grove, Stockport, Cheshire SK7 5DY, United Kingdom  
+44 (0)161 483 1435    sales@trolex.com    www.trolex.com