



TX6351.05 Data Sheet

Sentro Auto Reset - Fast Acting

Safety monitoring of methane gas, with automatic reset of pellistor sensors and optional relay and fast acting sensing

Environments: Mining • Tunnelling

Features

- High accuracy methane gas detector with calibrated input sensing eModule
- eModule can be changed out in seconds for easy calibration and maintenance
- Option for fast response methane sensing eModules observe rate of gas release and using unique algorithms predict whether gas concentration levels will pass setpoint level
- Choice of output signals, 5 to 15 Hz or RS485 datacomms with relay
- Large backlit LCD readout provides clear sensor information and diagnostic data
- Auto Zero and Span calibration with simple display instructions
- 5 to 15 Hz output signal - two programmable setpoints for inbuilt audio and visual alarms
- RS485 output signal - one programmable setpoint for inbuilt audio and visual alarms

Benefits

- Automatic reset of pellistor sensors avoids the need for time consuming manual reset of individual sensors
- High strength, dual wall moulded housing for maximum impact protection
- Easy access terminal chamber with large, vibration secure, terminals for connecting heavy plant cables
- Dust and waterproof to IP65 with full EMC conformity
- Certified for use in hazardous areas



XXX certification pending



Sentro eModule

Pre-calibrated plug-in sensing modules can be changed for rapid calibration and servicing - even with the power applied.

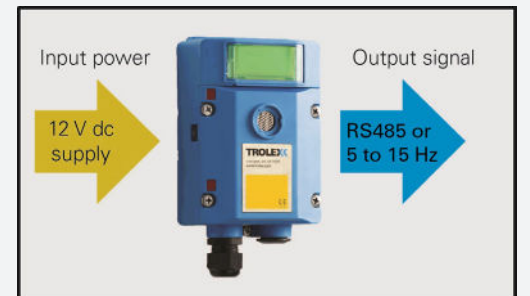
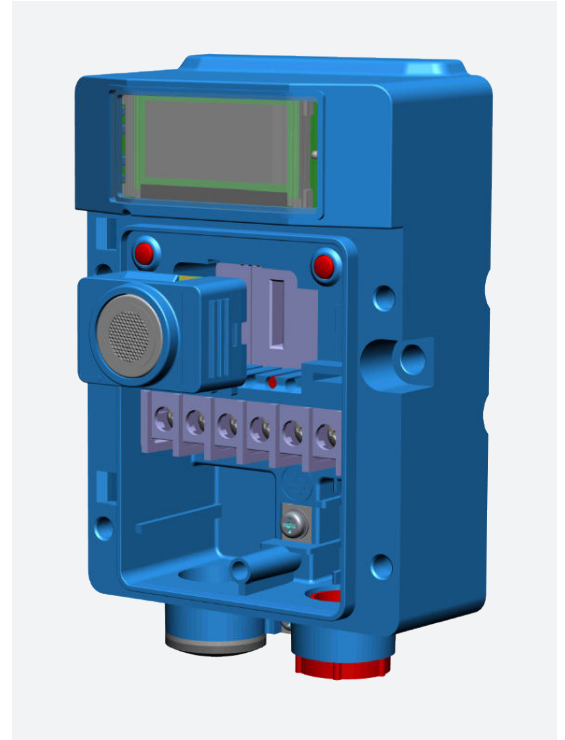
Functional Overview

The heart of the Sentro Auto Reset - Fast Acting is the Sentro eModule - an intelligent standardised gas sensing module that detects methane gas at levels of 0 to 4% v/v. Dynamic data is stored within the eModule, together with the condition of the gas sensing element and its service history.

The eModules are already calibrated so they can be substituted at any time with a replacement eModule. Each eModule retains its calibration data and is automatically recognised by Sentro Auto Reset - Fast Acting when the eModule is inserted. This significantly simplifies calibration and maintenance and the eModule can be changed, even with the power applied.

Up to 20 insert codes can be configured when it is necessary to ensure that the same type of Sentro eModule is always used. Two user adjustable alarm set-points allow you to configure alarm levels appropriate to your operating scenario.

You can easily service and calibrate the Sentro Auto Reset - Fast Acting by simply changing the eModule. You can do this with the power still applied.



Hazardous area



TX6351.05 Data Sheet

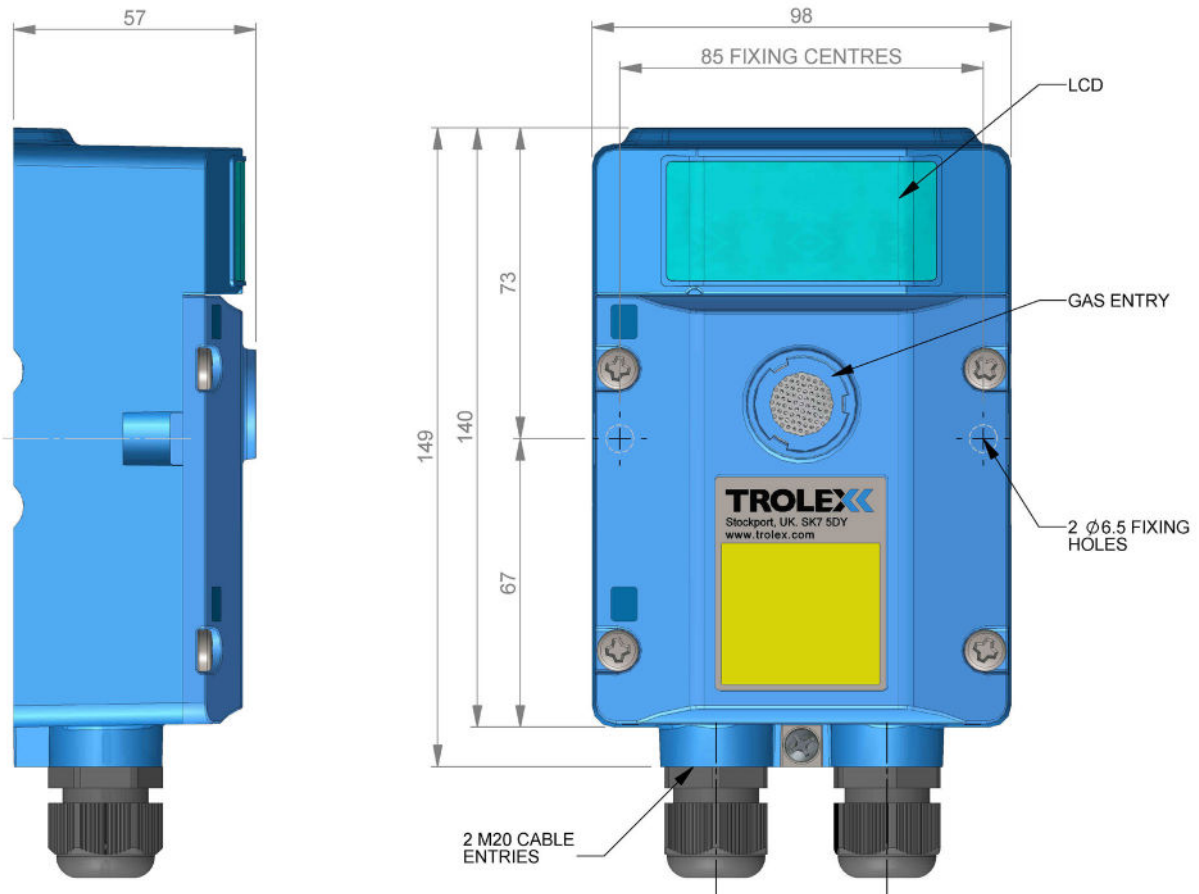
Technical Information

	TX6351.05.85.86	TX6351.05.85
Supply voltage:	12 V dc	12 V dc
Supply voltage range:	7.5 to 14.4 V dc	7.5 to 14.4 V dc
Current consumption:	60 mA	60 mA
Current consumption with backlight:	70 mA	70 mA
The current consumption figures stated are typical at the given supply voltage. Peak currents of up to 85 mA may be drawn for very brief periods when low data rates (less than 4800 baud) and a large number of registers (more than fifteen) are requested over modbus due to the extended time the line transmitter is operating.		
Output signal data:	RS485 databus	5 to 15 Hz
Relay fitted:	Yes	No
Automatic reset eModule sensor:	Yes	Yes
Fast acting sensing:	Yes	No
Display:	128 x 64 dot LCD screen with backlit illumination	
Visual alarm indicators:	Inbuilt visual alarm LEDs for General and High alarms. Programmable alarm setpoints and options selectable from the setup menus	
Type of sensor:	Pellistor sensor with automatic reset built into ruggedised plug-in Sentro eModule housing. Calibrated and rationalised output data, stores data of service life and sensing element condition	
Gases detected:	Methane at 0 to 4% v/v	
Sentro eModule working life:	Approximately 2 years (dependent on monitoring conditions)	
Operating temperature range:	-10 to +40 °C	
Humidity:	90% non-condensing	
Storage temperature limits:	-20 to +60 °C	
Housing materials:	Reinforced polymer EMC protected and proof against surface electrostatic charge	
Protection classification:	Dust and waterproof to IP65	
Weight:	550 g	



TX6351.05 Data Sheet

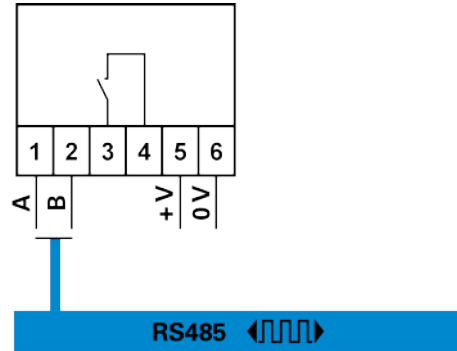
Dimensions



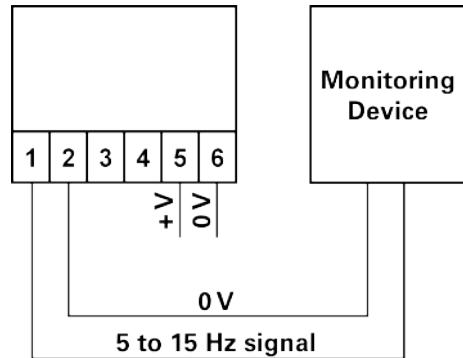
Connections

There are two output options available for Sentro Auto Reset - Fast Acting:

- RS485 databus - with relay



- 5 to 15 Hz - a pull up resistor may be required at the monitoring device





TX6351.05 Data Sheet

Order Reference

TX6351.05.85	Sentro Auto Reset, 5 to 15 Hz output for use with TX6250.05.246.85 Sentro eModule
TX6351.05.85.86	Sentro Auto Reset - Fast Acting, RS485 output and relay for use with TX6350.05.246.85 Sentro eModule
TX6350.05.246.85	Sentro eModule 0 to 4% methane - pellistor, for use with TX6251.05.85 Sentro Auto Reset
TX6350.05.246.86	Sentro eModule 0 to 4% methane - pellistor, for use with TX6251.05.85.86 Sentro Auto Reset - Fast Acting



Please contact the Trolex Sales Team for further information and advice:

+44 (0)161 483 1435
sales@trolex.com

Certifications

XXX:
XXX certification pending

Copyright and trademarks

© 2014 Trolex® Limited.

Trolex is a registered trademark of Trolex Limited. The use of all trademarks in this document is acknowledged.

Document history: Issue 01 8 May 2014 First publication of this document - 5th Draft

Trolex Limited

Newby Road, Hazel Grove, Stockport, Cheshire SK7 5DY, United Kingdom
+44 (0)161 483 1435 sales@trolex.com www.trolex.com

