

TX6649

**Uninterruptible Power Supply
(UPS) with Intrinsically Safe
Output and 25 Ah Battery
Backup**

User Manual

TX6649

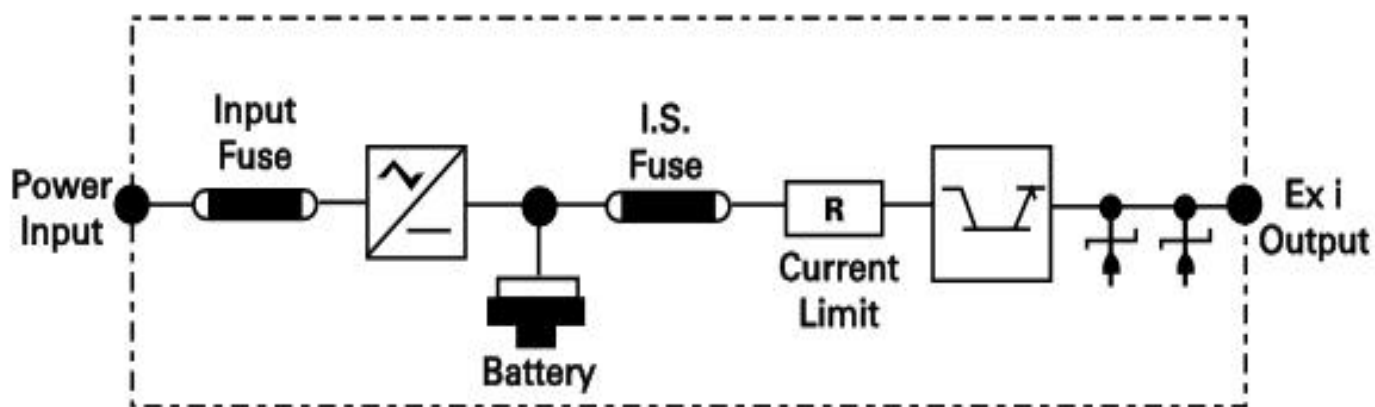
Uninterruptible Power Supply (UPS) with Intrinsicly Safe Output and 25 Ah Battery Backup

	Product Overview	3		
1.1	Operating Features	4	3.4	Connections 11
1.2	Application	4	3.4.1	Group I Areas 11
1.3	Product Options	4	4. Maintenance	12
1.4	Dimensions	5	4.1	Technical Maintenance 12
1.5	Technical Information	6	4.2	Warranty 12
2.	Certification & Conformity	8	4.2.2	Diagnostics 13
3.	Installing	11	4.2.3	Connectivity 13
3.1	Safety Precautions	11	4.2.4	Support 13
3.1.1	Handling	11		
3.2	Tools and Test Equipment Required	10		
3.3	Siting Recommendations	10	Disclaimers	14
3.3.1	Positioning Recommendations	10	Trademarks	14
3.3.1.2	Commissioning & Verification Tests Prior to First Use	10	Document History	14
3.3.1.3	Power Requirements	10	Contact Details	14
3.3.1.4	Output Signal	10		

1. Product Overview



The TX6649 Power Supply converts an ac supply voltage into a stabilised and regulated Intrinsically Safe source of power to approved sensors and electronic control devices.



1.1 Operating Features

- Input voltage options: 110 V ac or 230 V ac
- Input supply is protected by two primary fuses
- Intrinsically Safe output voltage: 12 V dc
- Output circuit is resistively limited in accordance with certification standards for Intrinsically Safe, ia, equipment
- Output circuit incorporates voltage regulation, current limiting and continuous short circuit protection
- Robust stainless steel housing
- Integral 3.5 Ah back-up battery with automatic uninterrupted power transfer and charge to full capacity
- Output relay contact to signal power failure
- Analogue output signal to indicate battery charge condition
- Battery conserve timer for use on mobile machinery

1.2 Application

- Mining
- Tunnelling

1.3 Product Options

ATEX & IECEx Certification

110 V ac supply: **TX6649.35.105.101.1206.19**

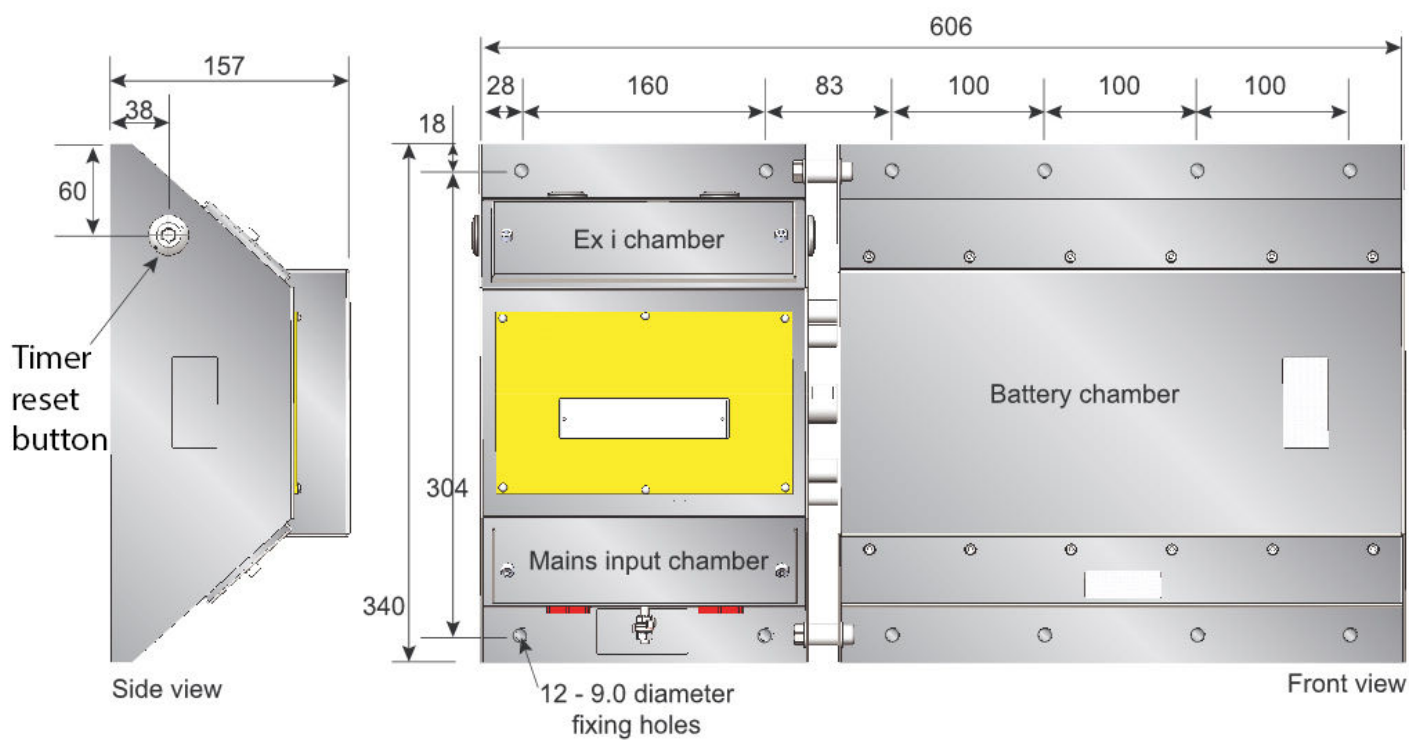
230 V ac supply: **TX6649.35.106.101.1206.19**

EAC Certification

110 V ac supply: **TX6649.35.105.101.1206.14**

230 V ac supply: **TX6649.35.106.101.1206.14**

1.4 Dimensions




1.5 Technical Information




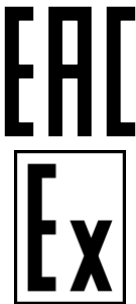
1	Input voltage	110 V ac \pm 10% or 230 V ac \pm 10% - 50/60 Hz
2	Output voltage	12 V dc
	Output current	750 mA
	Output ripple/noise	150 mV max
	Line regulation	<5% over the input voltage range
	Load regulation	<5% over 0 to 90% of load current <10% between 90% and 100% of load current
	Voltage limiting	Over voltage detection with crowbar protection and short circuit protection
	Current limiting	Automatic current limiting of the intrinsically safe output also limits the current to less than the rupturing capacity of the output protection fuse.

3	Max. operating temperature	-20°C to +40°C
	Storage temperature	-20°C to +70°C
	Humidity	0 to 95% RH, non-condensing
	Vibration limits / low frequency	0.25 mm peak, sinusoidal vibration in the range 10 Hz to 100 Hz in 3 perpendicular planes
	Medium frequency	2g peak, sinusoidal vibration in the range 10 Hz to 600 Hz in 3 perpendicular planes
	Mechanical shock	1000 shocks of 40g minimum in 3 perpendicular planes
	Housing material	Stainless steel
	<hr/>	
4	Back-up battery	Sealed lead-acid. 25 Ah Automatic charge control to full capacity Automatic uninterrupted output power transfer following input power failure
	Power fail indication	Relay contacts change state on power failure. Contact rating: 0.25 A at 30 V dc max.
	Charge condition	Analogue output signal proportional to the charge level of the battery Choice of 0.4 V to 2.0 V or 4 to 20 mA signals
	Battery life	6 years at 20°C 3 years at 30°C 1.5 years at 40°C
	Net weight	35 kg
	Important note	Following initial commissioning or long periods of storage the TX6648 requires a minimum of 24 hours charge time before the batteries will be at full capacity.
	<hr/>	

2. Certification & Conformity

	<p>ATEX (European Union) certification for use in underground mines (Group I). Complies with ATEX Directive 2014/34/EU.</p>
	<p>Standards: EN IEC 60079-0:2018 EN 60079-5:2015 EN IEC 60079-7:2015+A1:2018 EN 60079-11:2012</p>

	<p>IECEX (International) certification for use in underground mines (Group I).</p>
	<p>Standards: IEC 60079-0:2017 IEC 60079-5:2015 IEC 60079-7:2015+AMD1:2017 IEC 60079-11:2011</p>

	<p>EAC certification for use in underground mines in Eurasian Customs Union (including Russia).</p>

2.1. Underground mines

Product Code:	Ex Certificate Number:	Ex Certification Code:
TX6649.35(.xx...).19 25 Ah UPS Power Supply	CML 21ATEX2404X IECEX CML 21.0048X	I M2(M1) Ex eb q [ia Ma] I Mb (see Note 1) I M1 Ex ia I Ma (see Note 2) Ta = -20 °C to +55 °C
TX6649.35(.xx...).14 25 Ah UPS Power Supply	RU C-GB.AA87.B.00155/19	PΠ Ex e q [ia Ma] I Mc X (see Note 1) PO Ex ia I Ma X (see Note 2) Ta = -20 °C to +40 °C

Note 1 – applies when mains powered

Note 2 – applies when powered from the backup battery

2.2. The following Specific Conditions of Use apply to the ATEX and IECEX certificates

listed above:

The following conditions relate to safe installation and/or use of the equipment:

- i. All cable entries shall be made using suitably certified Ex e cable glands
- ii. The use of conduit is not permitted.

3. Installing

3.1 Safety Precautions

The installation of the product must only be carried out by competent personnel. Each installation needs to be considered with reference to the local safety regulations and authorities. Refer to the following standards for additional guidance:

- IEC/EN 60079-14
 - IEC/EN 60079-25
1. Make sure that all covers on Ex e housings and their fixing devices are properly secured in compliance with statutory regulations before switching on the input supply.
 2. Never remove the cover of an Ex e housing whilst the input supply is connected. Isolate elsewhere before removing the cover in accordance with statutory regulations.
 3. The housing of all power supplies must be securely earthed in compliance with statutory regulations.
 4. Carry out a current consumption audit to ensure that the maximum current loading of the power supply is not exceeded.
 5. Ensure that the installation of the power supply, particularly with regard to the connecting cables, complies with the certification parameters (section 2.1).
 6. The Ex e housing must be inspected and maintained regularly in accordance with statutory regulations.
 7. All cables entering the mains input terminal chamber must be terminated with suitable, certified cable entry devices.
 8. Do not drill holes in the Ex e housing or modify it in any way.
 9. The battery contains corrosive substances and must be disposed of in the correct way.
 10. Please return the complete unit to Trolex or an approved distributor for servicing and replacement.

3.1.1 Handling

The TX6649 weighs 35 kg and safe handling and transportation should be applied in line with the health and safety recommendations on your site

3.2 Tools and Test Equipment Required

No special tools are needed.

3.3 Siting Recommendations

1. The TX6649 may be located in hazardous areas of mines susceptible to firedamp and coal dust (Group I)
2. The equipment should not be used outside of its certified ambient temperature range.
3. Installation shall be carried out in accordance with the applicable code of practice by suitably trained personnel.

3.3.1 Positioning Recommendations

Mount horizontally as shown in the illustrations on pages 4 and 7.

3.3.1.2 Commissioning / verification tests prior to first use.

Prior to commissioning and first use, the product should be inspected for any visible damages and integrity of the enclosure. Never use the product that has damaged housing in hazardous locations.

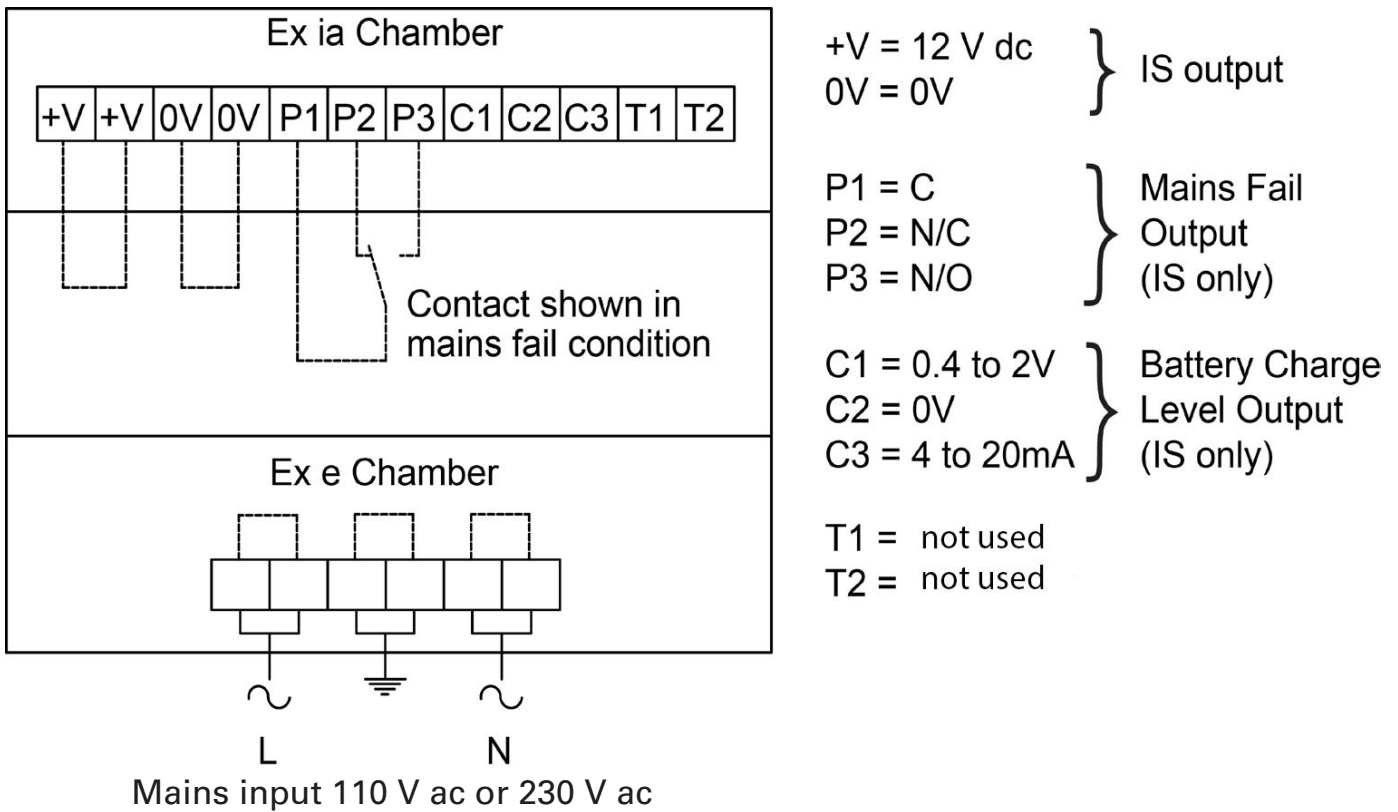
3.3.1.3 Power Requirements

See Technical Information section 1.5.

3.3.1.2 Output Signal

0.4 to 2 V dc	Battery charge level monitor
4 to 20 mA	Battery charge level monitor
Relay	Mains fail output contact

3.4 Connections



3.4.1 Group I Areas

Connecting cables must conform to the requirements of the appropriate Approval and Certification standards for Mining applications. Trolex recommends that they conform to BS5308.

4. Maintenance

The maintenance of the product must only be carried out by competent personnel. Maintenance shall be considered with reference to the local safety regulations and authorities. Refer to the following standards for additional guidance:

- IEC/EN 60079-17

Make periodic visual inspections to check for physical damage.

Check connections in both terminal chambers are secure.

The product is marked with the following warning, which is applicable to the power supply enclosure only:

THIS CONTAINER HAS BEEN PERMANENTLY SEALED AND CANNOT BE REPAIRED

4.1 Technical Maintenance

Troxex recommends that the batteries are replaced every three years. This must be carried out by a competent person. If the unit is returned to Trolex for this re-work, a test of the internal safety integrity will also be carried out.

4.2 Warranty

See Terms and Conditions for the Supply of Goods and/or Services at www.troxex.com.

4.2.2 Diagnostics

Condition:	Output reading of 800mV instead of 12Vdc.
Diagnosis:	The internal safety crowbars have activated due to an external condition on the input voltage or output side, the crowbars will attempt to automatically reset. If this does not happen remove main power for about 2 minutes.
Condition:	The output has dropped to zero
Diagnosis:	It is probable that the input fuses have ruptured which has resulted in the batteries completely discharging. To check this, remove main power momentarily. If the relay does not change state then it confirms the unit is continuously operating on the battery supply only.

4.2.3 Connectivity

Check the correct function of the mains-fail relay by connecting a suitable test meter across the contacts.

A 12 V dc output should be available at the intrinsically safe output terminals with mains power input present, or absent.

Also check that the analogue battery monitoring signal is available at the output terminals.

4.2.4 Support

If you need technical support to operate this product, or would like details of our after sales technical support packages, contact **service@trolex.com**.

Disclaimers

The information provided in this document contains general descriptions and technical characteristics of the performance of the product. It is not intended as a substitute for and is not to be used for determining suitability or reliability of this product for specific user applications. It is the duty of any user or installer to perform the appropriate and complete risk analysis, evaluation and testing of the products with respect to the relevant specific application or use. Trolex shall not be responsible or liable for misuse of the information contained herein. If you have any suggestions for improvements or amendments, or find errors in this publication, please notify us at **marketing@trolex.com**.

No part of this document may be reproduced in any form or by any means, electronic or mechanical, including photocopying, without express written permission of Trolex.

All pertinent state, regional, and local safety regulations must be observed when installing and using this product. For reasons of safety and to help ensure compliance with documented system data, only Trolex or its affiliates should perform repairs to components.

When devices are used for applications with technical safety requirements, the relevant instructions must be followed.

Trademarks

© 2013 Trolex® Limited.

Trolex is a registered trademark of Trolex Limited. The use of all trademarks in this document is acknowledged.

Document History

Issue 1	20 July 2005	Original publication of this document
Issue 2	6 September 2013	New format and minor revisions
Rev A	14 March 2022	General revisions

Trolex Ltd, Newby Road, Hazel Grove, Stockport, Cheshire, SK7 5DY,
UK+44 (0) 161 483 1435 sales@trolex.com

At Trolex, we save lives.

We believe that no person should risk their life to earn a living.

Our aim is to become the world's leading name in health and safety technology, through pioneering products that provide real-world benefits to our customers, whenever workers operate in hazardous environments.

For more information about Trolex, please contact us at:

Enquiries

sales@trolex.com

Telephone

+44 (0) 161 483 1435

Fax

+44 (0) 161 483 5556

Trolex Ltd

Newby Road, Hazel Grove
Stockport, Cheshire
SK7 5DY, United Kingdom

Website

www.trolex.com



[/company/trolexUK](https://www.linkedin.com/company/trolexUK)



[trolexUK](https://twitter.com/trolexUK)



[/trolexUK](https://www.instagram.com/trolexUK)



[/user/TrolexUK](https://www.reddit.com/user/TrolexUK)