

INTRINSICALLY SAFE ISOLATING RELAY UNIT (Ex eq)



**A TEX
M 2 / M 1
GROUP I
INTRINSICALLY
SAFE**

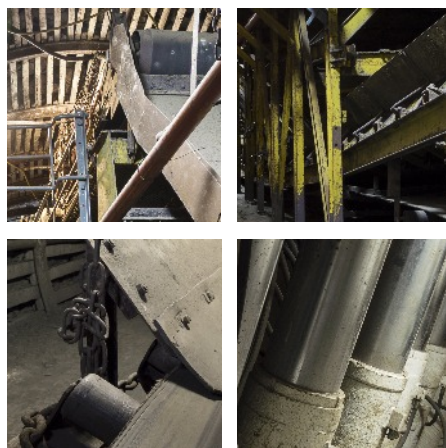
Four isolating relays,
housed in an Ex eq enclosure
for interfacing between Exi and
Exd control currents

features...

- The operating coils of the relays are Intrinsically Safe and the contacts are clearance compatible for switching non- intrinsically safe apparatus or devices in separate Exd enclosures.
- The connecting terminals of the relay are Exe standard.
- Robust stainless steel housing couples directly to standard Trolex housings using a Trolex coupling bush.

choice

- The relay coils can be rated for either 7.5 V dc or 12 V dc operation and each relay carries one changeover contact.



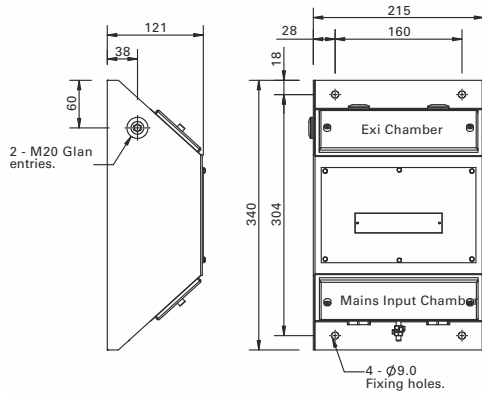
**MINING
•
TUNNELLING**



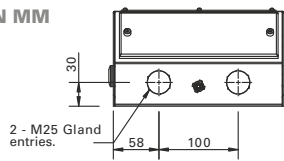
technical details...

| | |
|---------------------------------|---|
| Number of Relays: | 4 |
| Relay Contact Format: | One changeover per relay |
| Relay Contact Rating: | 5 Amp at 230 V ac max per relay |
| Relay Coil Voltage: | 7.5 V dc or 12 V dc |
| Relay Coil Current: | 27 mA max 26 mA max per relay |
| Max. Operating Temperature: | -20°C to +55°C |
| Storage Temperature: | -20°C to +70°C |
| Humidity: | 0 to 95% RH, non-condensing |
| Vibration Limits/Low Frequency: | 0.25 mm pk, sinusoidal vibration in the range 10Hz to 100Hz in 3 perpendicular planes |
| Medium Frequency: | 2g pk, sinusoidal vibration in the range 10Hz to 600Hz in 3 perpendicular planes |
| Mechanical Shock: | 1000 shocks of 40g minimum in 3 perpendicular planes |
| Housing Material: | Stainless Steel |

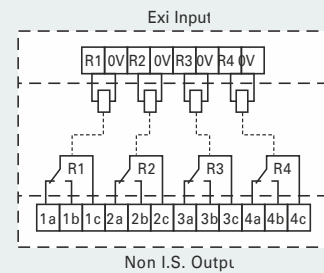
dimensions...



ALL DIMENSIONS IN MM



Connections



ATEX
M2/M1
GROUP I
INTRINSICALLY
SAFE

order reference...



TX6661 INTRINSICALLY SAFE ISOLATING RELAY UNIT (Ex eq)

Please specify **INPUT VOLTAGE OPTIONS:**

- | | |
|------------|-------|
| • 7.5 V dc | (109) |
| • 12 V dc | (101) |

certification & approval...



TX6661 INTRINSICALLY SAFE ISOLATING RELAY UNIT (Ex eq):
Sira 02ATEX3420X I M2 Ex eq I Mb
Designed to comply with the requirements of the ATEX directive: 94/9/EEC

ISSUE C 06/14

TROLEX LIMITED
NEWBY ROAD, HAZEL GROVE, STOCKPORT,
CHESHIRE SK7 5DY, UK

+44 (0)161 483 1435

sales@trolex.com

www.trolex.com