

## Audio/Visual Alarm

Combined audible and visual alarm signalling, for use with monitoring systems in hazardous areas

**Environments:** Mining • Tunnelling • Machine monitoring

### Features

- High intensity LED all-round visual alert with 85 dB audible sounder
- Compact and shock resistant moulded polymer housing with cable termination facilities. Rugged design with IP65 ingress protection
- Confidence alert signal at 15 second intervals
- Choice of LED colours
- Configurable input signal: 4 to 20 mA analogue, 0.4 to 2 V analogue and contact state
- Configurable alarm setpoint can be set for RISING or FALLING input signal mode
- Certified intrinsically safe for use in Group I hazardous areas



TX6831 with terminal box

### Functional Overview

Supplied in a compact and strong moulded polycarbonate housing, this high-intensity LED visual alarm has an optional 85 dB audible sounder.

The alarm can be fitted directly to many Trolex sensor/transmitters using the terminals inside the sensor housing, or can be supplied fitted directly to a junction box.

Choice of Analogue or Contact State input signal compatibility, with user-adjustable alarm trigger setpoints, selectable for Rising / Falling input modes.

Certified intrinsically safe for use in Group I hazardous areas, for use with sensors and monitoring systems in hazardous areas. Versions available with visual alarm only.



TX6831 with flexible lead for OEM applications



# TX6831 Data Sheet

## Technical Information

Light source:	High intensity LEDs
Input signal:	<ul style="list-style-type: none"><li>• Contact state - OPEN or CLOSE for alarm</li><li>• Analogue signals with adjustable setpoint, configurable for RISING or FALLING signal mode</li></ul>
Alarm indication:	Audible sounder: 85 dB @ 1 m (12 V dc) Flashing visual alert at 1 second flash cycle Confidence alert flash at 15 second intervals Input signal out-of-limits: Alternating visual/audible pulses
Connections:	4mm clamp terminals or 300 mm flexible lead for OEM applications
Setpoint hysteresis:	5% of setpoint
Housing material:	Electrically dissipative polymer
Protection classification:	IP65 (Sounder to IP54)
Nett weight:	120 g. 480 g with terminal box
Certification:	Group I - ATEX/IECEX, ANZEx, EAC, MA, Ukraine

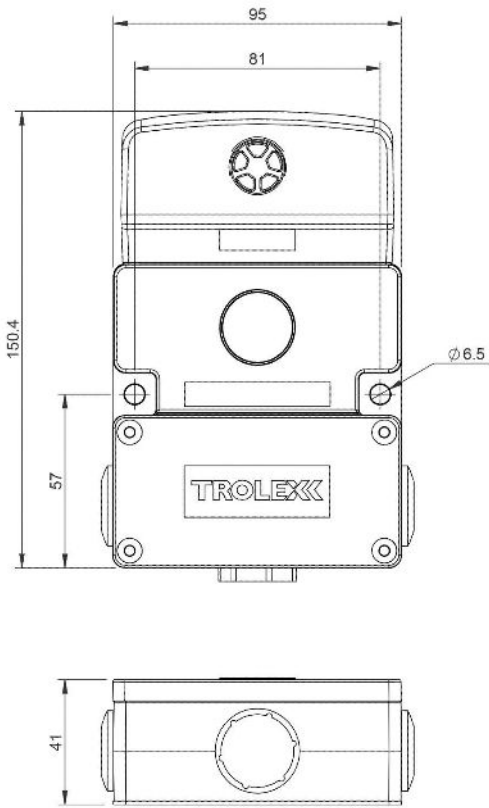
## Electrical Information

Supply voltage:	7.7 to 16.5 V dc from an approved source
Power consumption:	15 mA in standby condition 75 mA peak during LED flash
Analogue input signal:	4 to 20 mA or 0.4 to 2 V

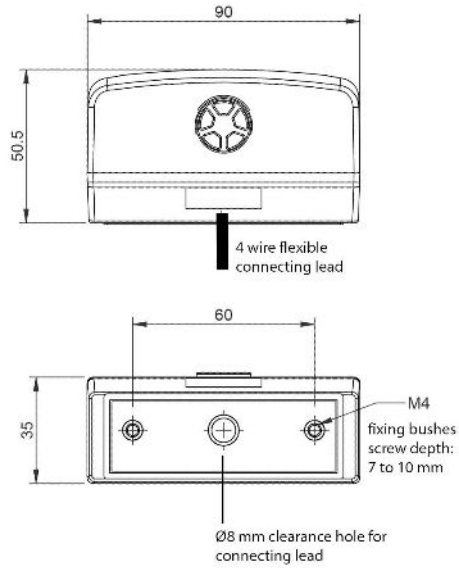
## Dimensions

### Audio Visual Alarm

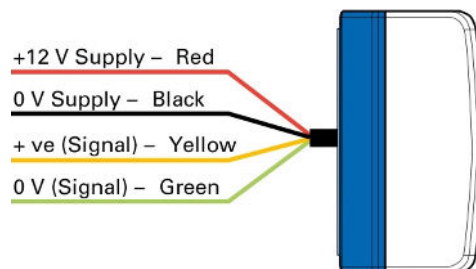
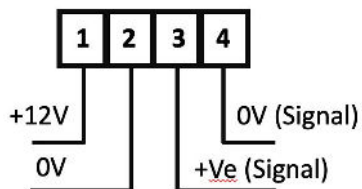
TX6831 with terminal box P5459.28



TX6831 with flexible lead for OEM applications



## Connections



## Order Reference

### TX6831 - Audio Visual Alarm

TX reference	Certification	Input	LED colour	Sounder	Flash pattern	Terminal Box
TX6831	05	12	91	901	20	01
example:	MASC Grp I	4 - 20 Ma	Red	with sounder	Solid	P5459.28

Certification	
General Purpose	00
MASC Grp I	05
ANZEx Grp I	10
EAC Grp I	14
MA	18
ATEX/IECEX Grp I	19
UKRAINE Grp I	24
MA/ATEX/IECEX Grp I	30
ERTL/ATEX/IECEX/ANZEx Grp I	31
Input	
0.4 - 2.0 V	11
4 - 20 mA	12
Contact	14

Sounder	
With sounder	901
No sounder	902
LED colour	
Red	91
Yellow	92
Green	93
Blue	94
Amber	95
White	96

Flash Pattern	
Standard	15
Solid (No confidence Beep)	16
1s 50% Duty A+V Sync	17
1.5s 50% Duty A+V Sync	18
4s 50% Duty A+V Sync	19
Solid	20
Terminal Box	
No terminal box (with flexible lead)	00
P5459.28 (standard version)	01
P5459.32	02
P5459.43	03
P5459.45	04