

Flexiprobe

Heavy duty limit switch for use in the most arduous operating environments

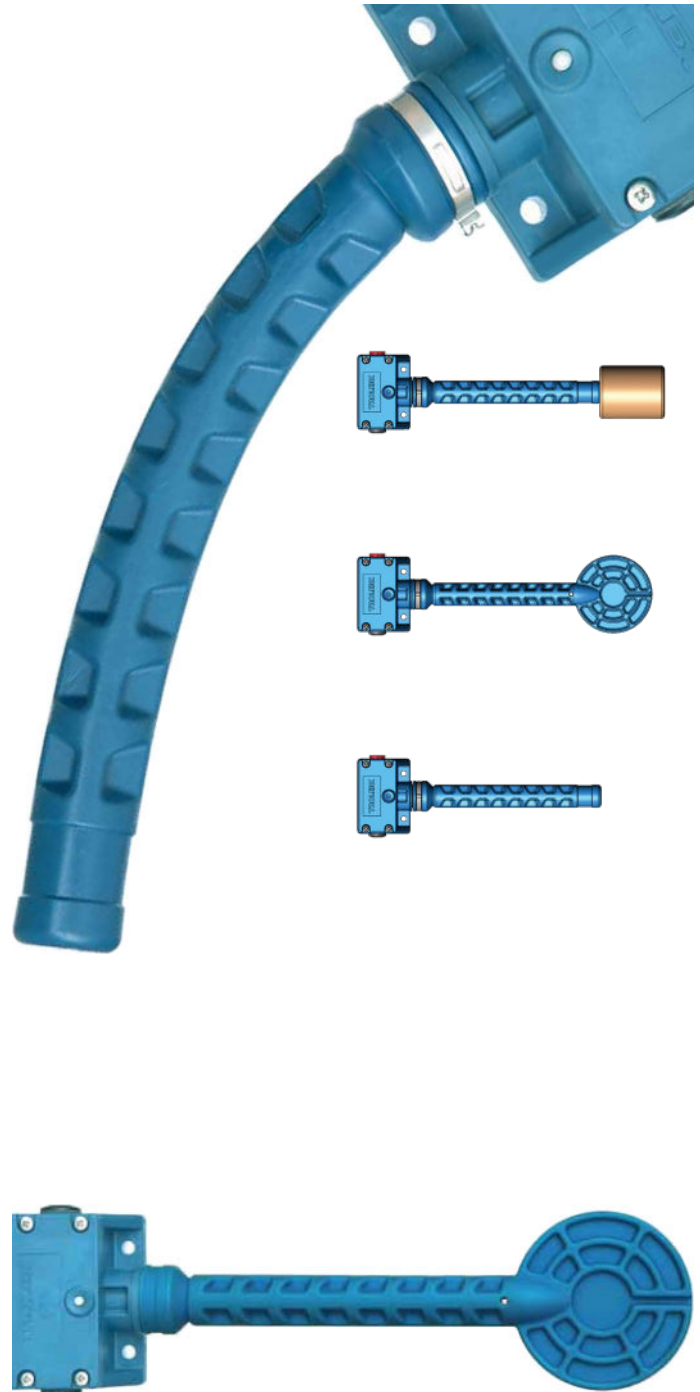
Environments: Mining • Quarries • Materials handling • Plant machinery • Process plants • Conveyor systems

Features

- Rugged housing moulded in impact resistant reinforced Nylon 66
- Dust tight and waterproof to IP67 standards
- Heavy duty 10 Amp rated contact at 300 V ac
- Large easy access connecting terminals
- 2 x M20 threaded cable entries
- Can be used for:
 - Heavy duty limit switching
 - Position sensing
 - Movement detection
 - Safety interlocks
 - Level detection
 - Conveyor protection
 - Vehicle detection

Benefits

- No electronics involved. Very heavy-duty directly-operated contact, housed in a solidly constructed waterproof housing
- An economical solution to many tough switching problems
- Simple in function with low cost maintenance and unsurpassed reliability in the most extreme working environments
- Extremely durable, high-flex urethane polymer actuator with exceptional flex recovery characteristics
- Corrosive resistant materials - totally sealed against ingress



Functional Overview

The highly resilient flexible probe operates when deflected in any direction. There are no springs and wires to corrode or fatigue. No adjustment is necessary and the probe can be cut to the required length.

It is capable of withstanding repeated flexing beyond its activation point, and is designed to operate in the most extreme working conditions: mining, quarries, material handling plants, vehicle control, process plants and conveyor systems.

The robust moulded housing is completely dust and watertight and has exceptional shock and impact resistance. There is a choice of cable entries with large easy connect terminals and generous working access inside the housing.

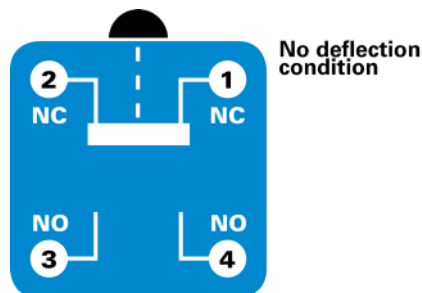
Options of straight, ring or roller actuators make the Flexiprobe adaptable to almost any application limited only by the ingenuity of the user. Accessories can be fitted in seconds by insertion into the end of the Flexiprobe.



Technical Information

| | |
|------------------------------|---|
| Switching point: | 20° deflection in any direction |
| Connections: | 4 mm barrier terminals |
| Housing material: | Reinforced polymer |
| Probe material: | Flexible, wear resistant urethane with high recovery modulus |
| Operating temperature range: | -20 to 100°C |
| Protection class: | IP 67 |
| Nett weight: | 0.5 kg |
| Maximum current: | 10 Amps |
| Maximum voltage: | 300 V ac |
| Certification: | ATEX: Simple Apparatus EN60079-11 Clause 57 EAC Group I Mining |

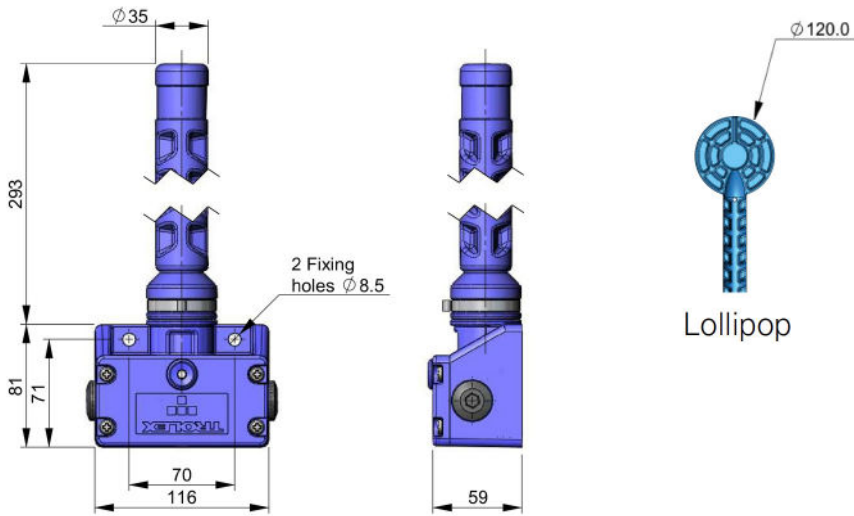
Electrical Connections





TX5520 Data Sheet

Dimensions



Order Reference

Flexiprobe with Straight Actuator

General Purpose (simple apparatus) EAC Group I
 Non-Latching Non-Latching

TX5521.01.00 **TX5521.01.14**



Flexiprobe with Lollipop

General Purpose (simple apparatus) EAC Group I
 Non-Latching Non-Latching

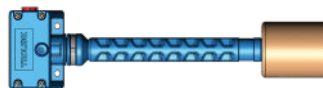
TX5522.01.00 **TX5522.01.14**



Flexiprobe with Roller

General Purpose (simple apparatus) EAC Group I
 Non-Latching Non-Latching

TX5525.01.00 **TX5525.01.14**



Trolex Limited

Newby Road, Hazel Grove, Stockport, Cheshire SK7 5DY, United Kingdom
 +44 (0)161 483 1435 sales@trolex.com www.trolex.com

