

**ONE LIFE.
PROTECT IT.**



SENTRO X»

DATA SHEET

General Purpose

FEATURES

- Main programmable **SENTRO X Controller** with OLED graphic display and keypad
- Integral output signals: RS485 MODBUS, 4 mA to 20 mA and 0.4 V to 2 V
- Optional dual relay output relay cards with programmable alarm functions
- Optional power-over-ethernet (PoE) ethernet card
- Optional integrated A/V alarm beacon for local area warning
- Programmable Setpoint monitoring functions with assignable warnings and alarm
- Programmable STEL and TWA monitoring functions on selected toxic gas sensors
- Plug-in calibrated gas sensing gBlocs for a range of oxygen, toxic and flammable gas
- Optional remote gas sensor configuration with interconnecting flexible armoured conduit with 4-core cable

PRODUCT OVERVIEW

TX6310 SENTRO X Controller with integral gas sensor

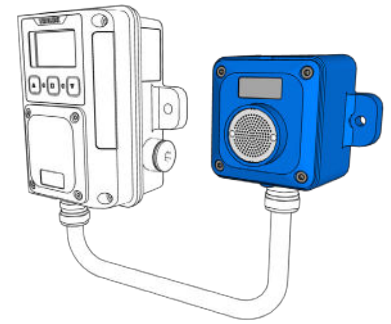
This is the main control unit within the **SENTRO X Gas Detector** suite, housing the central intelligence of the gas detection system. Designed to the rugged standards for direct operation in heavy industrial applications.



TX6310
SENTRO X Controller

TX6320 Remote Gas Sensor

Data from the remote gas sensor is transmitted to the **SENTRO X Controller**, which can be mounted in a more accessible and convenient location, up to 10 metres away from the gas detection area.



TX6320 Remote Gas Sensor interfacing with a **SENTRO X Controller**

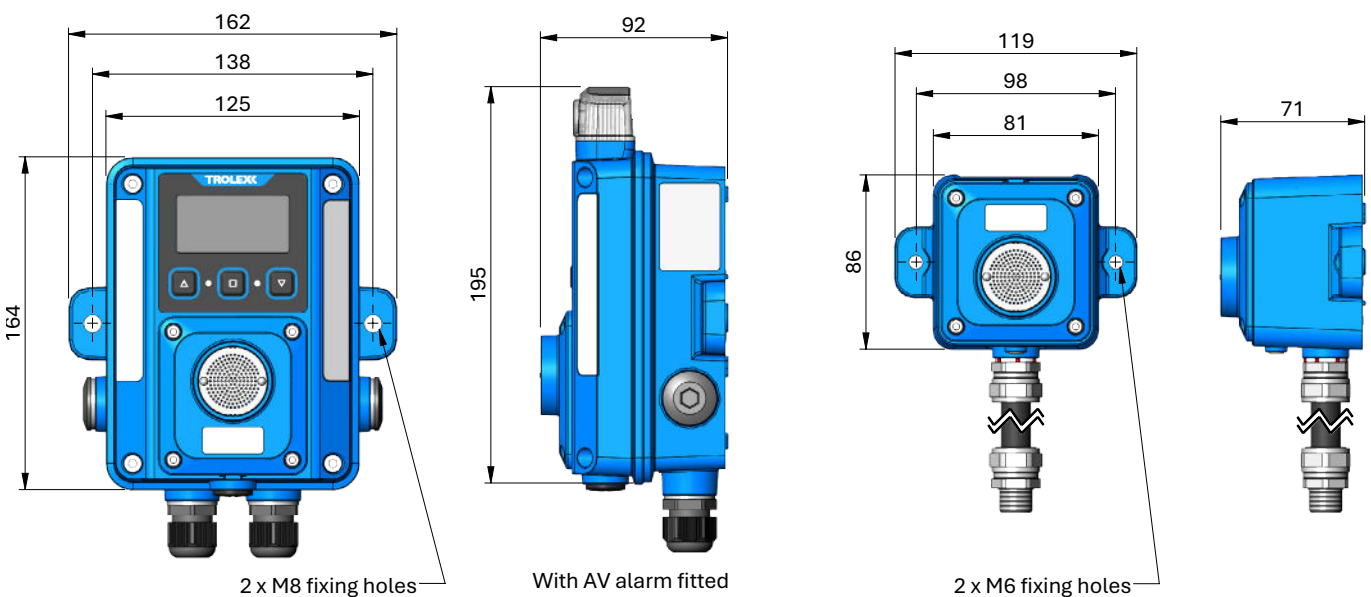
TX6310 SENTRO X Controller with integrated audio/visual (A/V) alarm

Local area A/V alarm, with high brightness LEDs and loud sounder.



SENTRO X Controller with an A/V alarm fitted

DIMENSIONS



TECHNICAL SPECIFICATION

Operating temperature	-20 °C to +40 °C
Storage temperature limits	-20 °C to +60 °C
Humidity	90% RH non-condensing
Housing materials	Reinforced PC/ABS polymer EMC protected and proof against surface electrostatic discharge
Ingress protection	TX6310 SENTRO X Controller : IP65 TX6320 Remote Sensor: IP65 A/V alarm: IP65
Net weight	TX6310 SENTRO X Controller : 775 g (maximum weight) TX6320 Remote Sensor: 215 g
Mounting	TX6310 SENTRO X Controller : <ul style="list-style-type: none"> • 2 x M8 fixing holes (unistrut compatible) TX6320 Remote Sensor: <ul style="list-style-type: none"> • 2 x M6 fixing holes (unistrut compatible)
Connections	TX6310 SENTRO X Controller : <ul style="list-style-type: none"> • 4 x threaded M20 cable entries provided with 2 x PVC cable glands and 2 x blanking plugs • 1 x threaded M16 cable entry (for Remote Sensor) TX6320 Remote Sensor: <ul style="list-style-type: none"> • M16 cable entry provided with stainless steel cable gland (for connection to SENTRO X Controller)
Information display	Graphic OLED
PoE Supply voltage	16 V to 30 V DC

ELECTRICAL DETAILS

Electrical connections	5 mm pitch lever lock terminals
Conductors	Max. 2 per terminal
Conductor size	Nominal 2.5 mm ² , 14 AWG (4 mm ² maximum)
Supply voltage	Maximum: 30 V Minimum: 16 V
4 mA to 20 mA max. line load at 9.5 V	Maximum: 526 Ohms
0.4 V to 2 V min. line load	Minimum: 140 Ohms

Current consumption details

Component list	Input voltage	Typical current draw
SENTRO X Controller	Minimum 16 V	+25 mA
SENTRO X with Remote Sensor	Minimum 16 V	75 mA

Additional

A/V alarm (active)	Minimum 16 V	+55 mA
1 x Relay card (2 Relays energised)	Minimum 16 V	+80 mA
Ethernet card (10 Mbs)	Minimum 16 V	+40 mA

gBlocs (Gas)

Electrochemical	Minimum 16 V	+25 mA
Pellistor	Minimum 16 V	+45 mA
Infrared	Minimum 16 V	+65 mA

Note: Current consumption details are based on minimum input voltage.

ORDER OPTIONS

TX6310 SENTRO X Controller

Option	Certification	Option	Cover	Option	A/V alarm	Option	Extension card
00	General Purpose	01	Gas Inlet	00	Not fitted	00	None
		02	Blank cover	01	Fitted	01	1 x Dual Relay
						02	2 x Dual Relay
						03	1 x Ethernet
						04	1 x Dual Relay 1 x Ethernet

TX6320 Remote Sensor

Gas sensors may be required to operate in restrictive and inaccessible locations. gBloc sensors can be mounted remotely from the **SENTRO X Controller** in a compact housing constructed to the same rugged standards as the **SENTRO X Controller**.

The Remote Sensor can be equipped with any standard gBloc in the range and uses the identical gas inlet cover with the same stainless-steel grille and moisture resistant membrane.

Option	Certification	Option	Flex conduit/cable
00	General Purpose	000	Not fitted
		050	5 m
		100	10 m

Note: Please refer to the P5600.1602 for the Intrinsically Safe **SENTRO X** data sheet and/or P5600.1603 for the **SENTRO X** gBloc data sheet.

DISCLAIMER

The information provided in this document contains general descriptions and technical characteristics of the performance of the product. It is not intended as a substitute for and is not to be used for determining suitability or reliability of this product for specific user applications. It is the duty of any user or installer to perform the appropriate and complete risk assessment, evaluation and testing of the products with respect to the specific application or use. Trolex shall not be responsible or liable for misuse of the information contained herein. When instruments are used for applications with technical safety requirements, the relevant instructions must be followed.

All pertinent state, regional, and local safety regulations must be observed when installing and using this instrument. For reasons of safety and to help ensure compliance with documented system data, only Trolex or its affiliates should perform repairs to components.

Trolex Ltd. reserves the right to revise and update this documentation from time to time without obligation to provide notification of such revision or change. Revised documentation may be obtainable from Trolex.

Trolex Ltd. reserves the right, without notice, to make changes in equipment design or performance as progress in engineering, manufacturing or technology may warrant.

TRADEMARK

© 2025 Trolex® Ltd.

No part of this document may be reproduced in any form or by any means, electronic or mechanical, including photocopying, without express written permission of Trolex.

Trolex is a registered trademark of Trolex Ltd. The use of all trademarks in this document is acknowledged.

At Trolex, we save lives.

We believe that no person should risk their life to earn a living.

Our aim is to become the world's leading name in health and safety technology, through pioneering products that provide real-world benefits to our customers, whenever workers operate in hazardous environments.

For more information about Trolex, please contact us at:

Website
trolex.com

Enquiries
sales@trolex.com

Telephone
+44 (0) 161 483 1435

@TrolexUK



Trolex Ltd
Newby Road, Hazel Grove
Stockport, Cheshire
SK7 5DY, United Kingdom